

# FLOS

F6107007 Fabric

## Romeo Soft Table

Designed by Philippe Starck, 1998

Halogen - 150W



Table/desk lamp providing diffused light. Acid-etched pressed borosilicate glass internal diffuser. Plissé cloth shade. Gray painted steel stem and die-cast aluminum base and yoke. Injection-molded transparent polycarbonate diffuser support. On the cable there is the electronic dimmer which allows the regulation of light brightness.

Are you a professional and your project needs consulting and support?

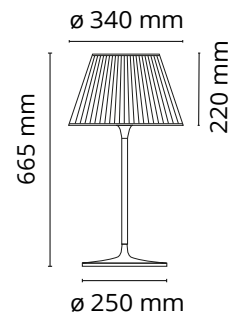
[BOOK AN APPOINTMENT](#)

### Main specifications

EAN	8059607005422
Mounting	Table
Environments	Indoor dry location
Light Source Type	Bulb
Lamp category	Halogen
Lamp holders	E27
Ilcos	HSGS
Number of heads	1
Power (W)	150

### Physical

Colour	Fabric
Cord length (mm)	1800
Net weight (kg)	5.51
Package volume (m3)	0.16
IP internal	20



### Download

[Mounting instructions](#)  PDF

[Spare Parts](#)  PDF

### Photometric Files

[LDT / IES](#)  LDT

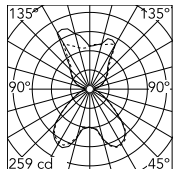
### Technical Drawings

[2D](#)  ZIP

[3D](#)  ZIP



## Schematic light drawing



### Photometric

Lighting type	Total
Light distribution	Symmetric

### Electrical

Insulation class	II
Frequency (Hz)	50/60
Main voltage (Vac)	220-240
LED voltage Vf (Vdc)	null
Dimmable	Yes
Dimming interface	Dimmer Integrated
Plug type	Type C
Batteries inside	No
Charging min time	No

## Bulbs



NOT INCLUDED

RF32563

LED Lamp 11.5W E27 220-240V  
2700K A70

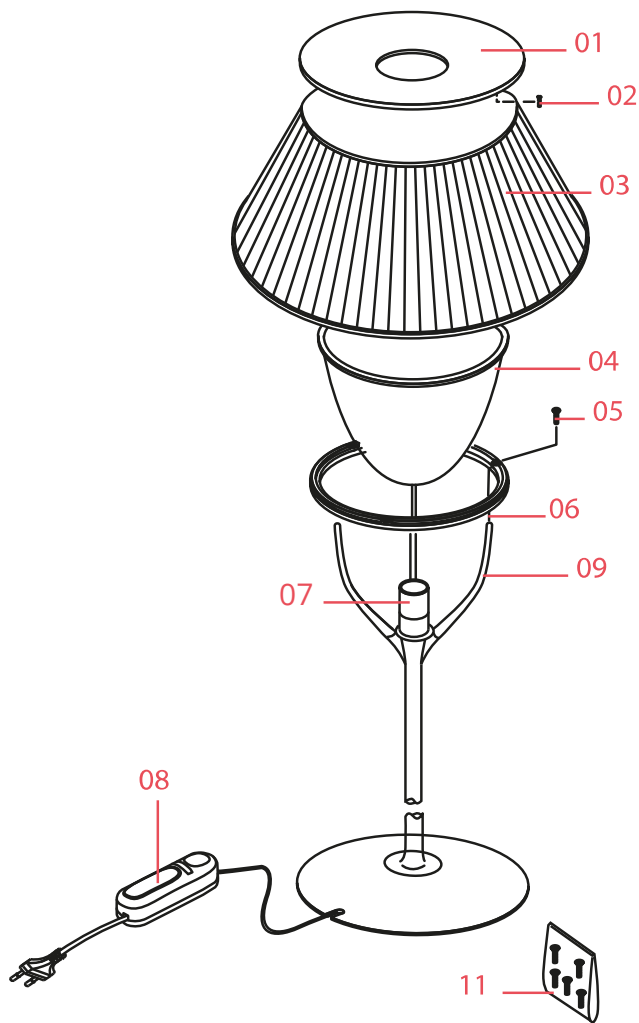


NOT INCLUDED

RF32564

LED Lamp 11.5W E27 220-240V  
3000K A70

## Spare Parts



- |     |                                       |           |
|-----|---------------------------------------|-----------|
| 01. | Romeo T1 cover ring                   | RF03203   |
| 02. | Kit of silicone seats for cover ring  | RF6100100 |
| 03. | Fabric lamp shade                     | RF05286   |
| 04. | Acid-etched diffuser                  | RF03201   |
| 05. | Kit of screws/bolts for Romeo         | RF6100200 |
| 06. | S1/t1 support ring                    | RF05369   |
| 07. | E27 Lamp holder                       | RF04169   |
| 09. | T1 grey support bracket               | RF02813   |
| 10. | Sensor contact rod                    | RF6110200 |
| 11. | Kit of transparent pads for lamp base | RF6138100 |

**DOWNLOAD**



RF03203

Romeo T1 cover ring



RF6100100

Kit of silicone seats for cover ring



RF05286

Fabric lamp shade



RF03201

Acid-etched diffuser



RF6100200

Kit of screws/bolts for Romeo



RF05369

S1/t1 support ring



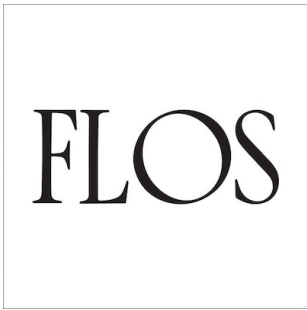
RF04169

E27 Lamp holder



RF02813

T1 grey support bracket



RF6110200

Sensor contact rod



RF6138100

Kit of transparent pads for lamp  
base