

FLOS

F6563009 White

Tab Table

Designed by Edward Barber and Jay Osgerby, 2011



9W - 347lm - 2700K - CRI> 80

Table and floor lamps providing direct lighting with adjustable head. Body in painted pressofused aluminium. Multi-led diffuser in specially designed PMMA to avoid the Multi Shadow effect and dazzle. Head rotation from $\pm 90^\circ$.

Are you a professional and your project needs consulting and support?

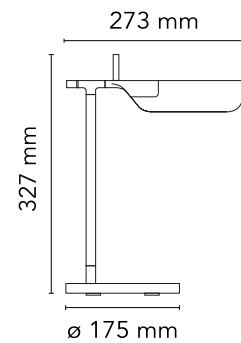
[BOOK AN APPOINTMENT](#)

Main specifications

| | |
|-------------------|---------------------|
| EAN | 8059607031599 |
| Mounting | Table |
| Environments | Indoor dry location |
| Light Source Type | LED |
| LED type | LED Module |
| Power (W) | 9 |
| System flux (lm) | 347 |

Physical

| | |
|---------------------|-------|
| Colour | White |
| Net weight (kg) | 0.91 |
| Package volume (m3) | 0.02 |
| IP internal | 20 |



Download

- [Mounting instructions](#) PDF
- [Mounting instructions](#) PDF
- [Spare Parts](#) PDF

Photometric Files

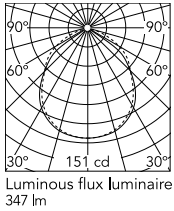
- [LDT / IES](#) LDT

Technical Drawings

- [2D](#) ZIP



Schematic light drawing



Photometric

| | |
|--------------------|------------|
| Lighting type | Direct |
| Light distribution | Asymmetric |
| CCT (K) | 2700 |
| CRI> | 80 |

Electrical

| | |
|----------------------|------------------------|
| Insulation class | III |
| Frequency (Hz) | 50/60 |
| Main voltage (Vac) | 100-240/24 |
| LED voltage Vf (Vdc) | null |
| Driver | Remote included |
| Dimmable | Yes |
| Dimming type | Electronic 24V |
| Dimming interface | Dimmer Integrated |
| Plug type | Type G, Type A, Type C |
| Batteries inside | No |

Ecodesign and Energy Labelling

This product contains a light source of energy efficiency class D

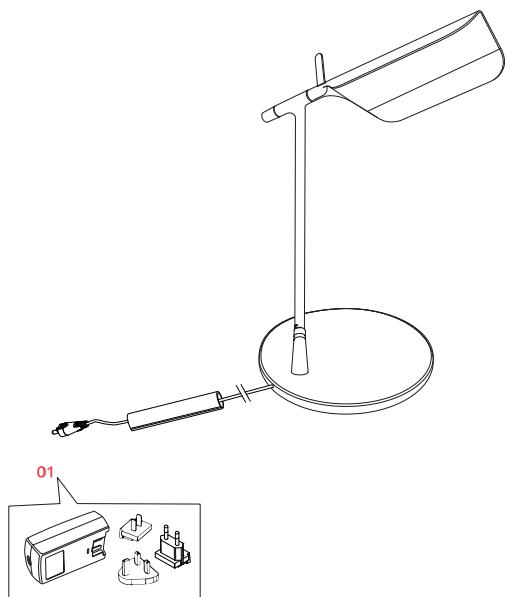


Replaceable (LED only) light source by a professional



Replaceable control gear by an end-user

Spare Parts



01. White plug assembly kit & 24V driver

RF3320200

DOWNLOAD



RF3320200

White plug assembly kit & 24V
driver