



Nilo

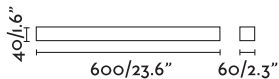
63318 ● chrome/cromo

SMD 12W 4000K 950 lm CRI>80

Driver ✓

Body Aluminium/Aluminio

Diff PMMA



Nilo

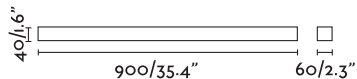
63319 ● chrome/cromo

SMD 18W 3000K 1400lm CRI>80

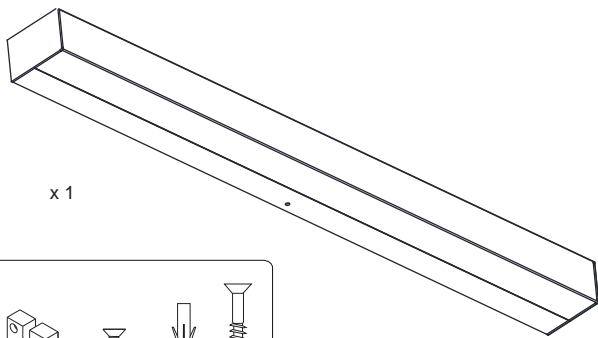
Driver ✓

Body Aluminium/Aluminio

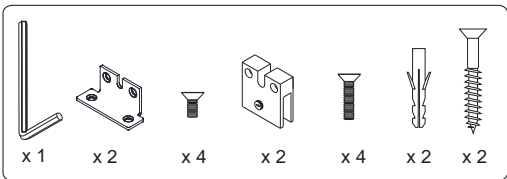
Diff PMMA



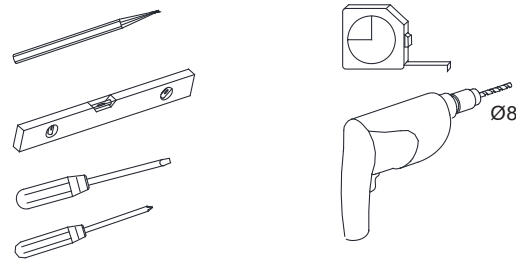
COMPONENTS



x 1



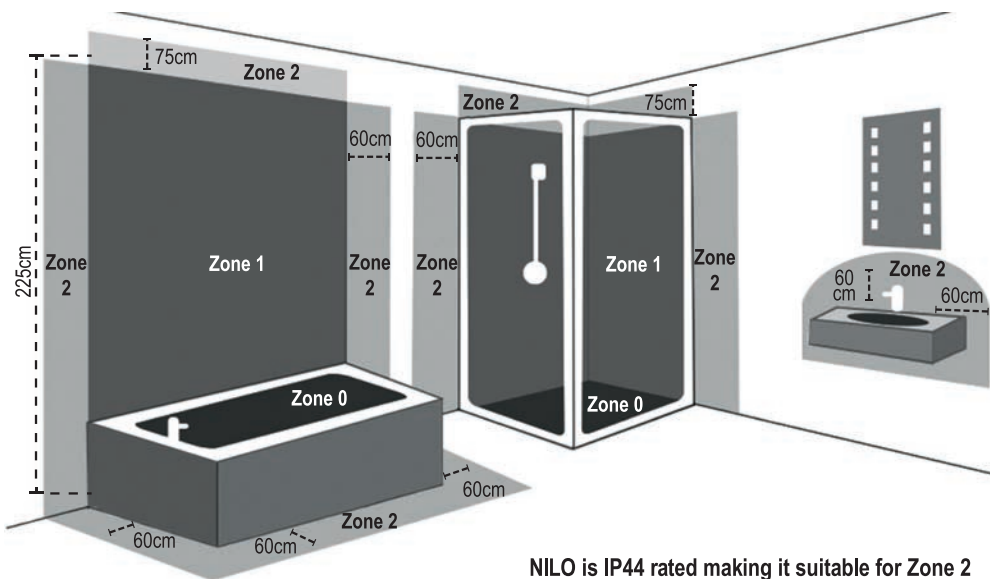
TOOLS REQUIRED



0 SELV(12V max.)
Minimum IP67.

1 Minimum IP44

2 Minimum IP44



NILO is IP44 rated making it suitable for Zone 2

TECHNICAL FEATURES - CARACTERÍSTICAS TÉCNICAS

| | | | | | | |
|--|--|--|--|---------------------|-----------------|------|
| | | | | 100V-240V~50Hz/60Hz | DRIVER BUILT-IN | IP44 |
|--|--|--|--|---------------------|-----------------|------|



3 DIFFERENT OPTIONS OF INSTALLATION
A, B, C

1
A, B, C

The cable go through the wall or put into the wall !

Ended with Max.6mm coppering

2
A, B, C

3-A

75mm

3-B

100V-240V Input

3-C

100V-240V Input

4-A

100V-240V Input

4-B

4-C

5-A

On wall

5-B

5-C

6-B

6-C

Mirror

3-6mm