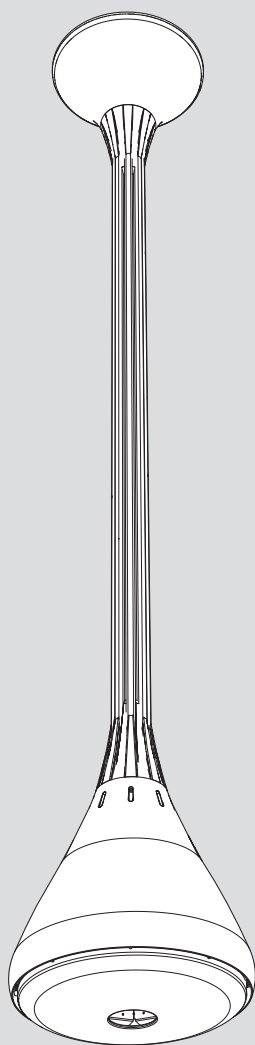


Artemide®

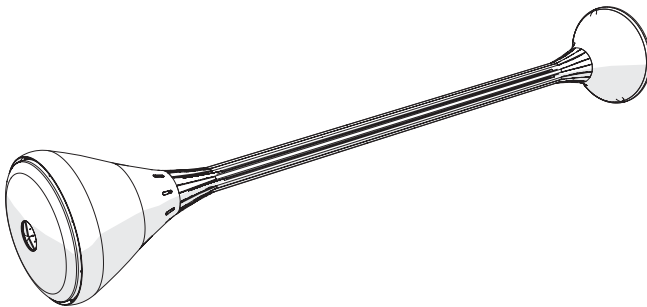
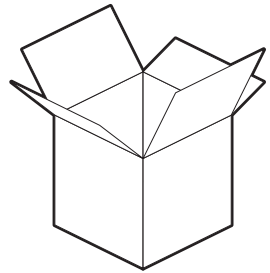
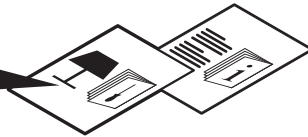
Pipe LED

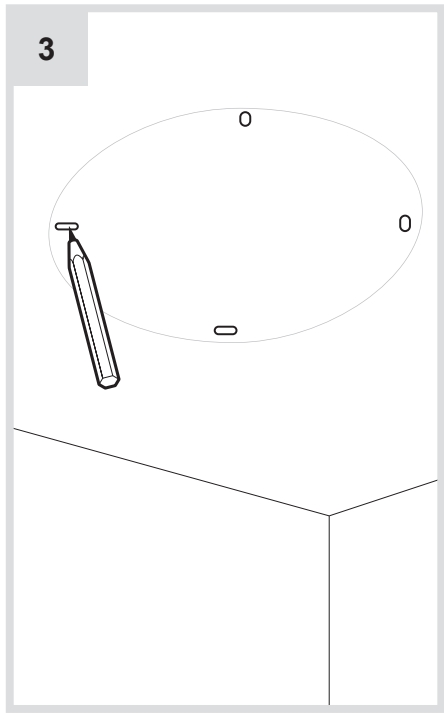
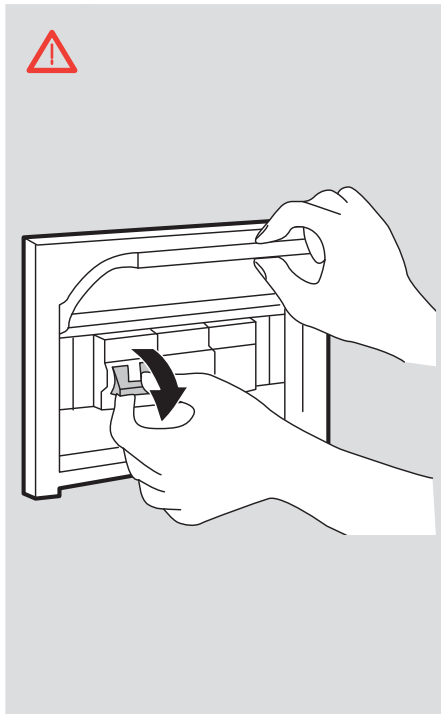
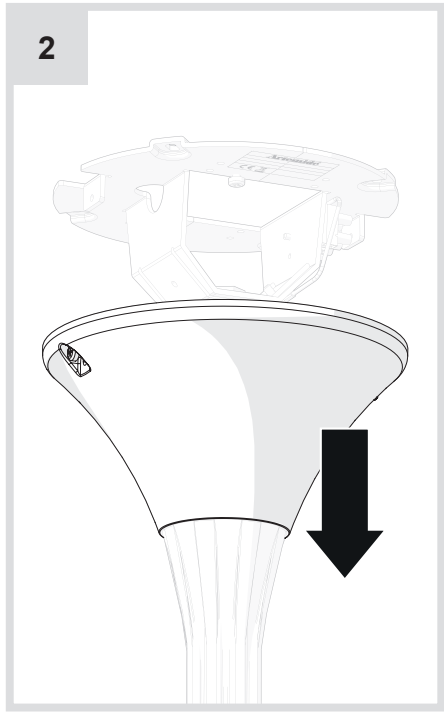
design
Herzog & De Meuron



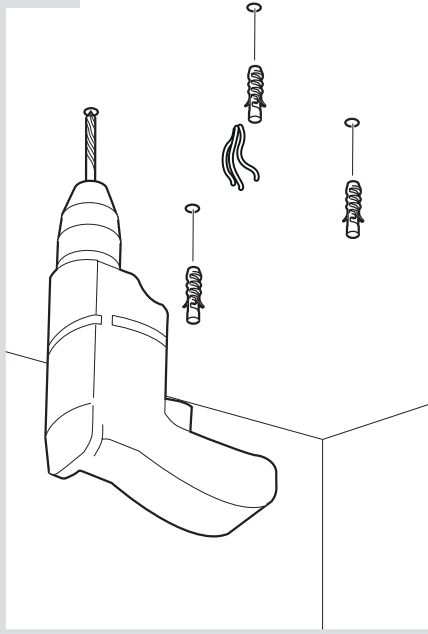


i

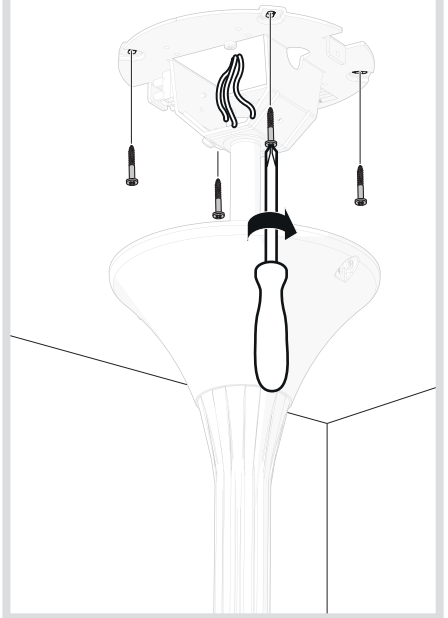




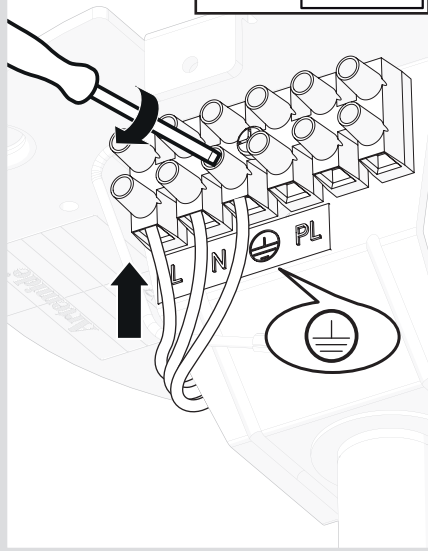
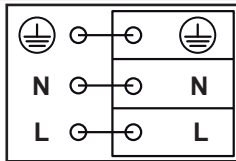
4



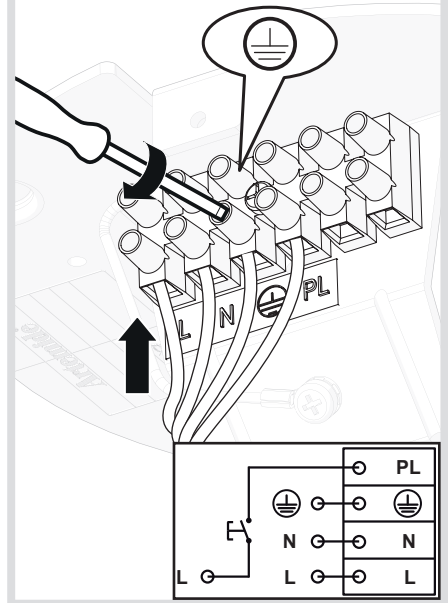
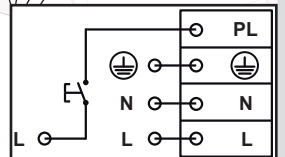
5



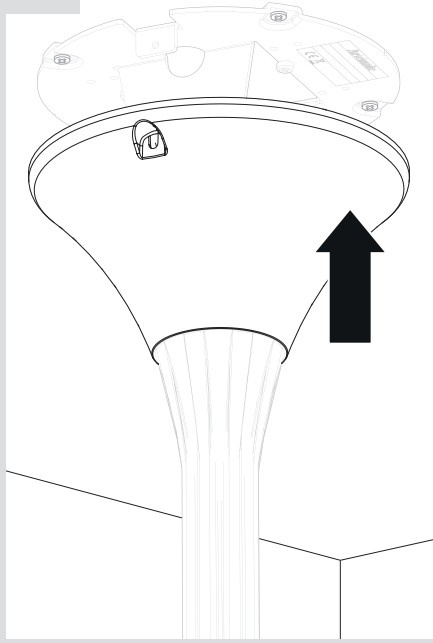
6a



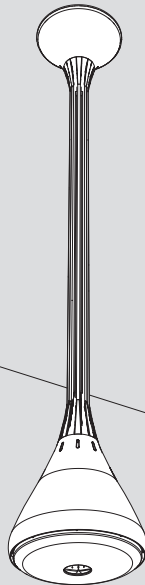
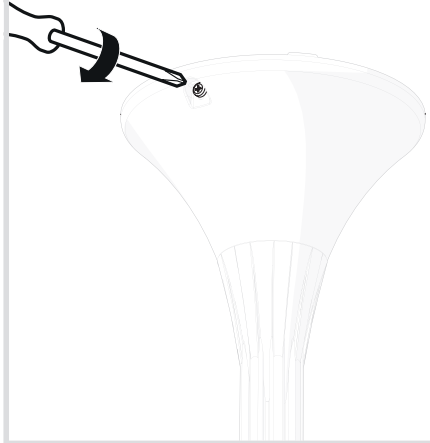
6b



7

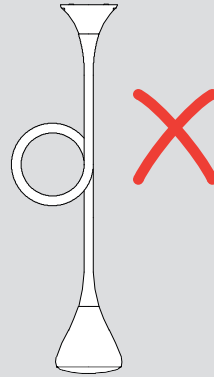
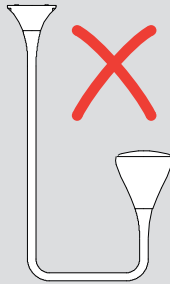
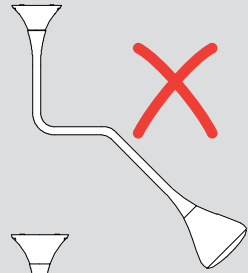
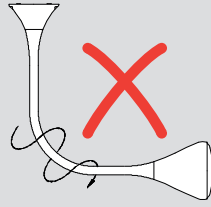
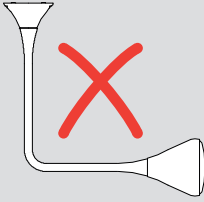


8

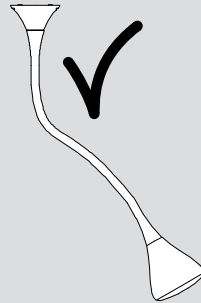
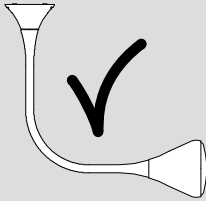




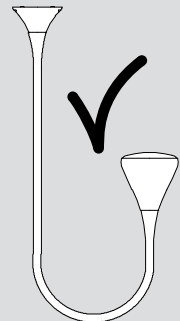
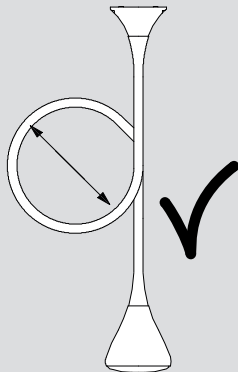
i

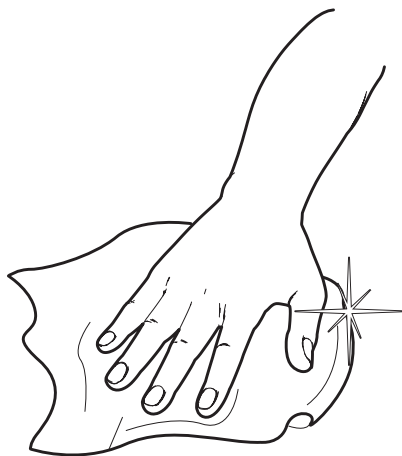


i



min. 20 cm





Artemide®



Artemide

via Bergamo, 18
20010 Pregnana M.se (MI)
ITALIA

tel. +39 02 935 181
fax +39 02 935 90 254
fax +39 02 935 90 496

www.artemide.com

VAT IT00846890150

cod. Y513000375