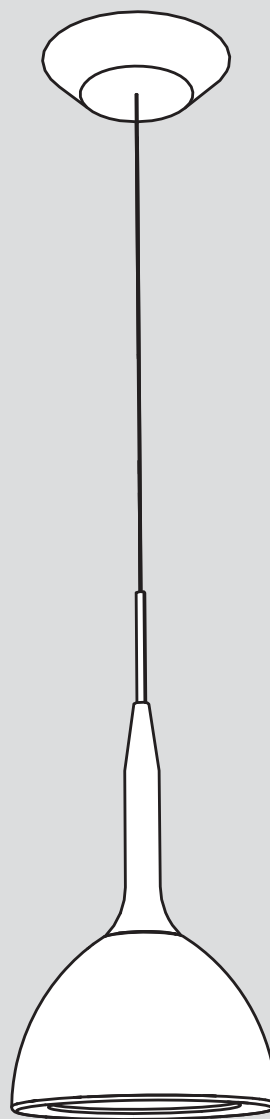
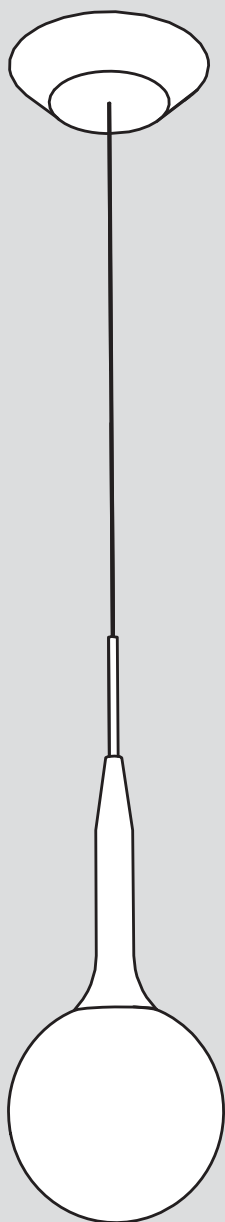


Artemide®

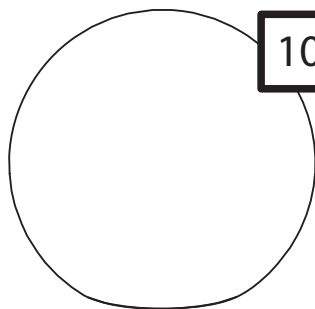
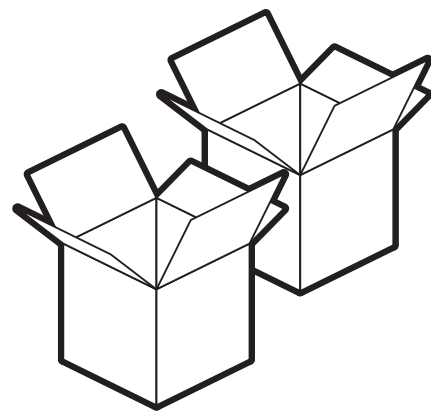
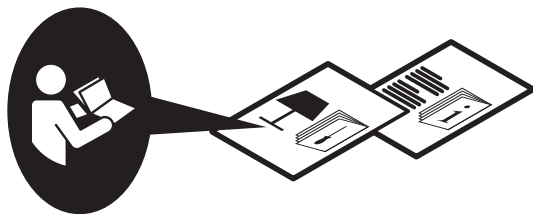
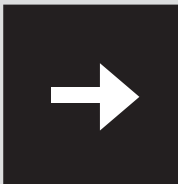
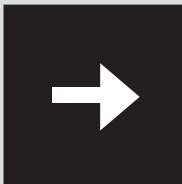
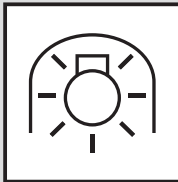
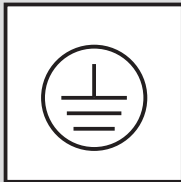
Castore / Castore Calice

design
M. De Lucchi / H. Ubbens

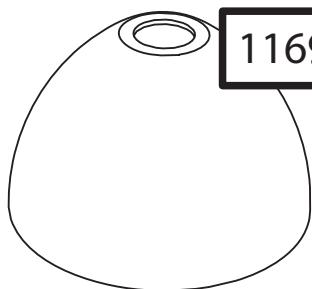




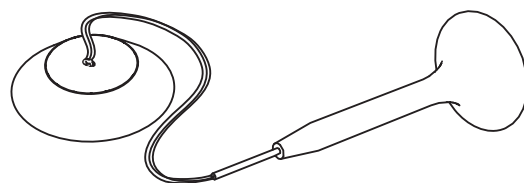
i

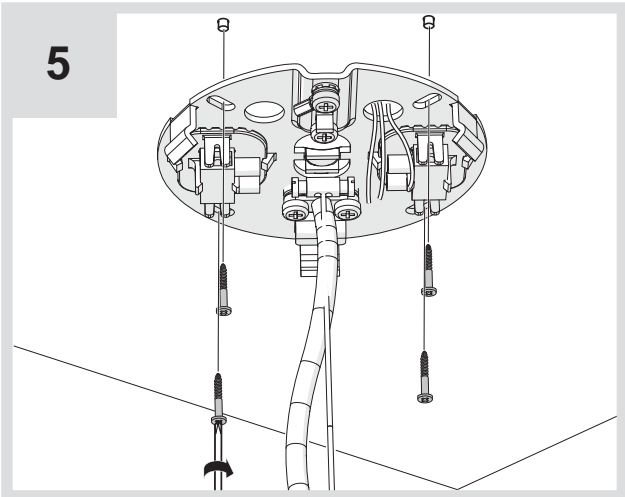
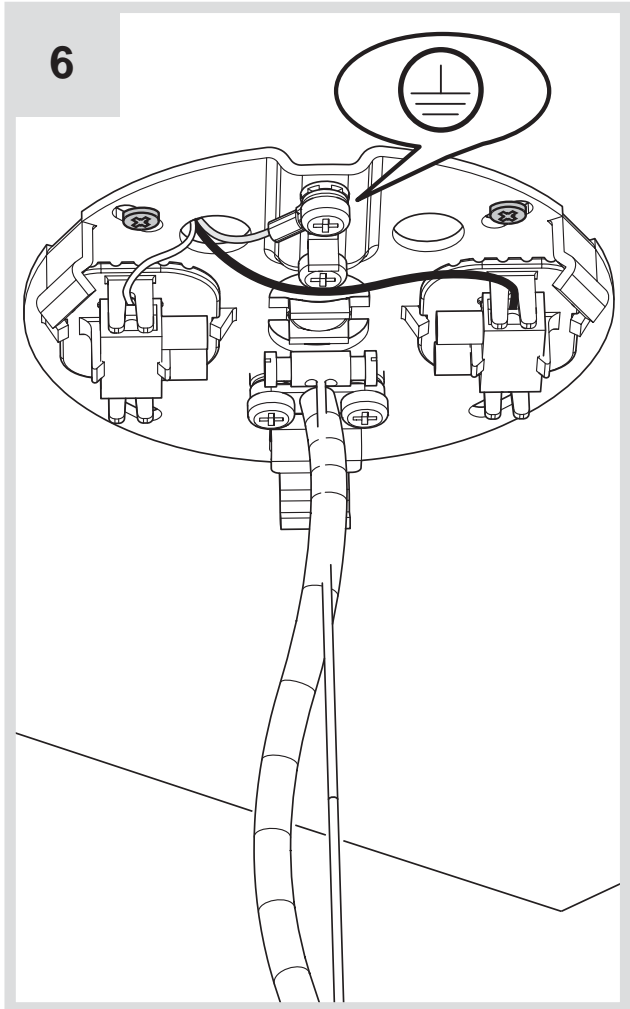
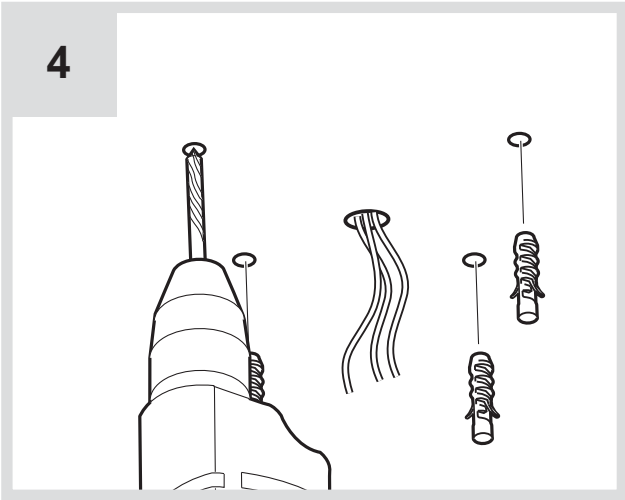
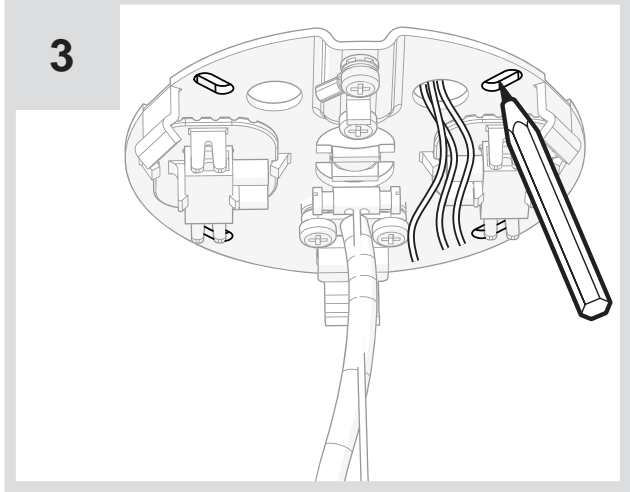
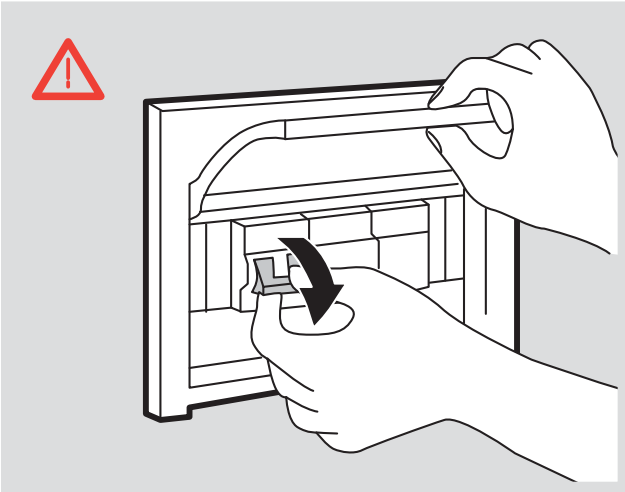
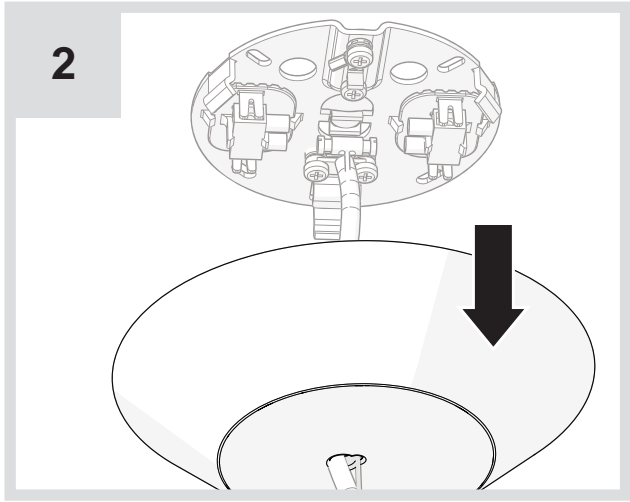
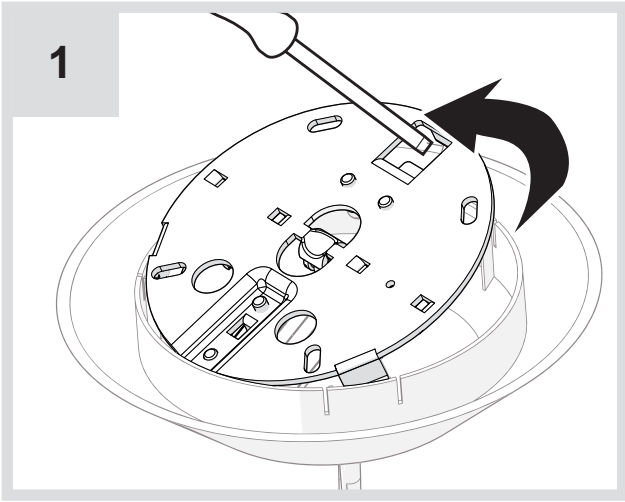


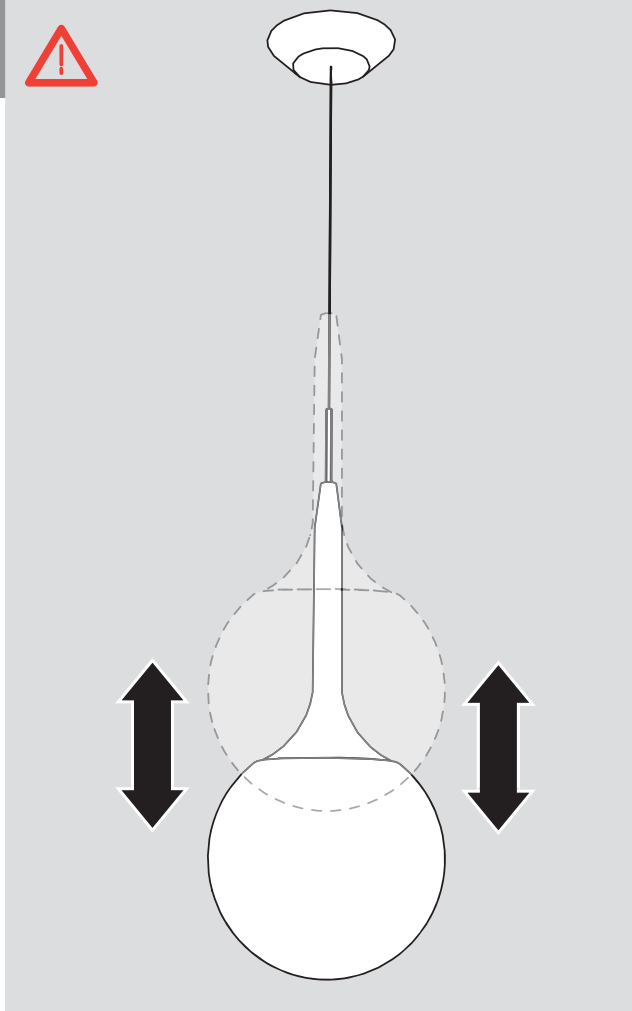
1045010A



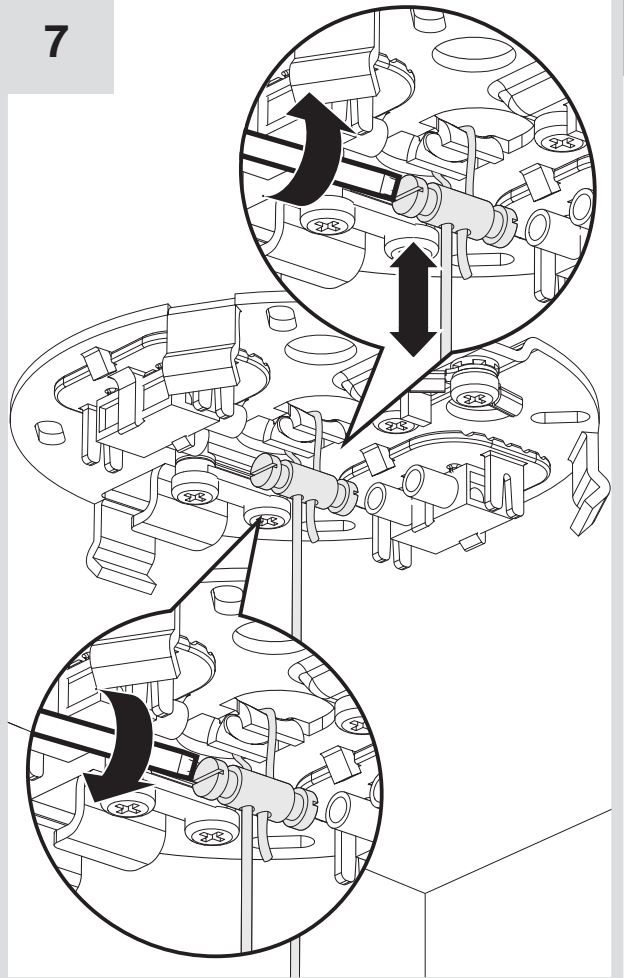
1169010A



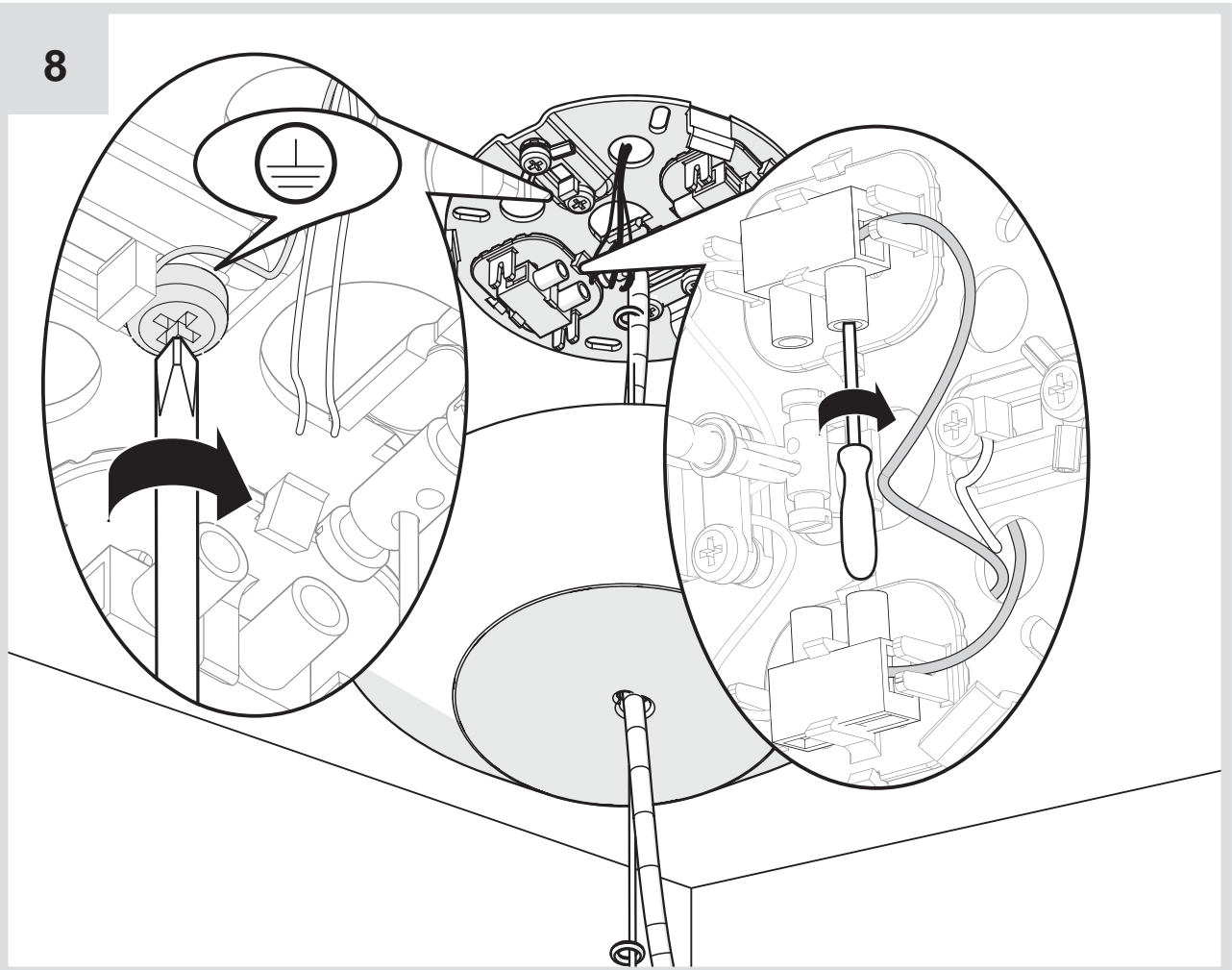




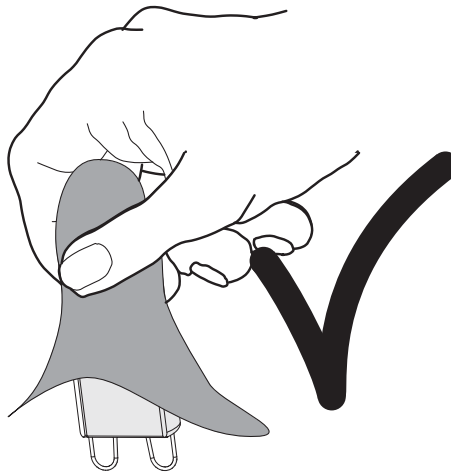
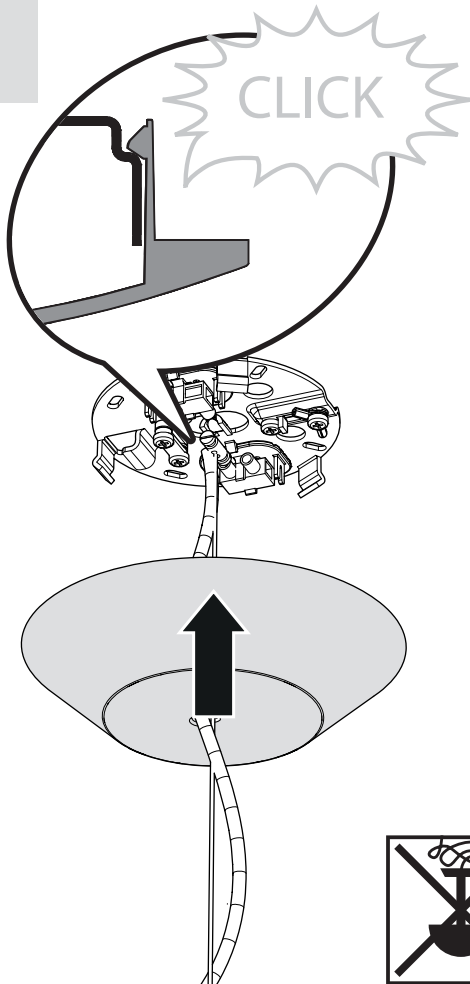
7



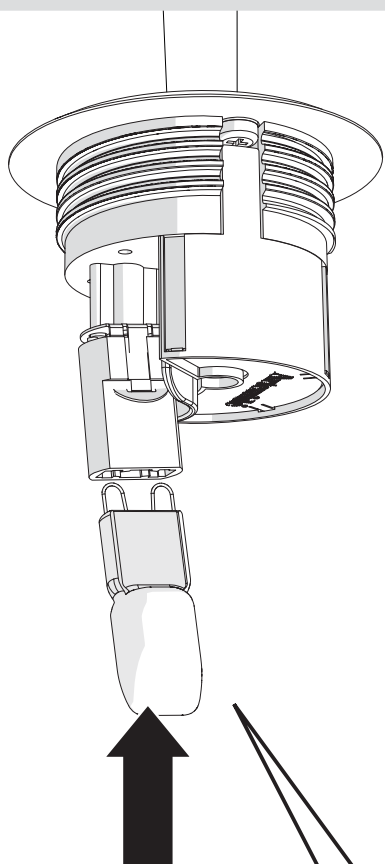
8



9

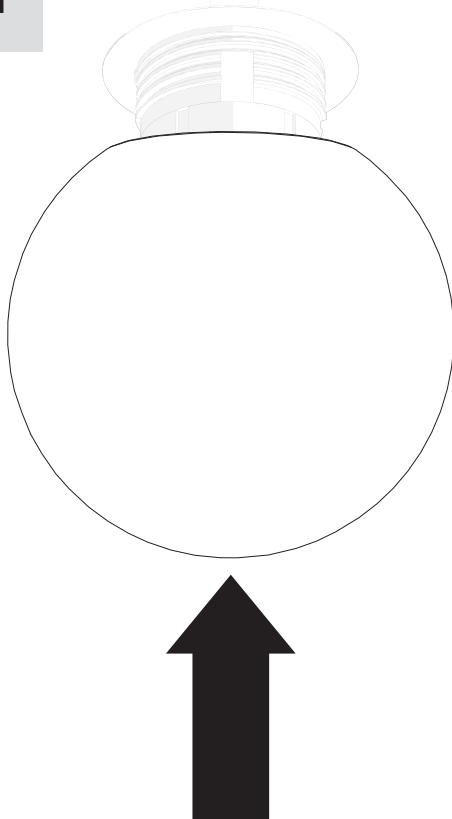


10

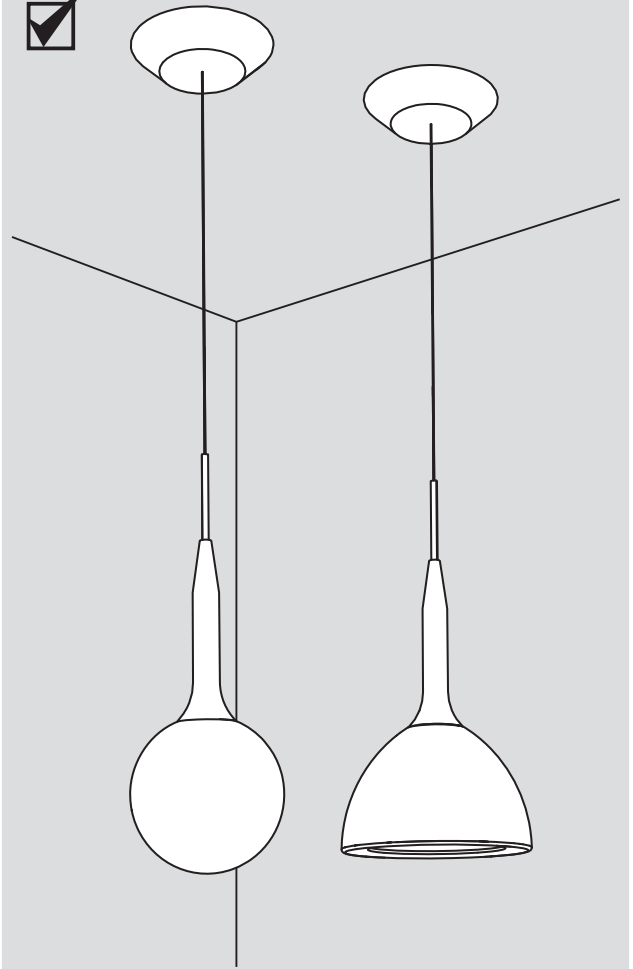
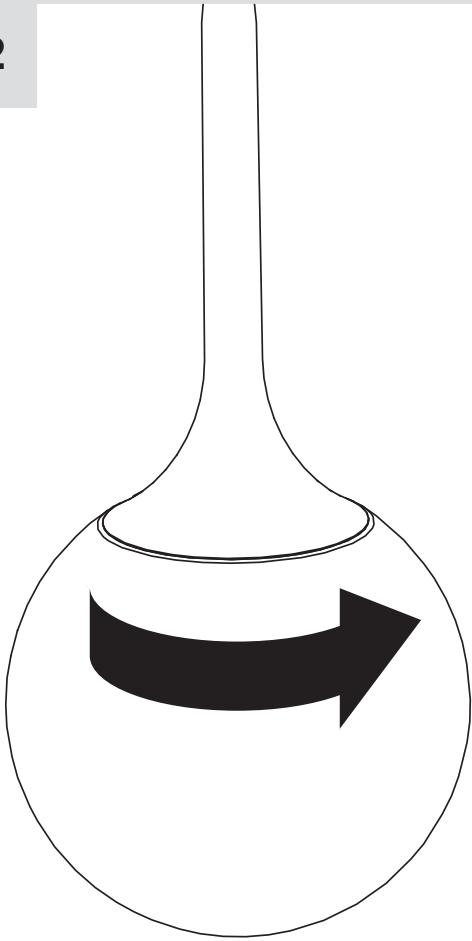


G9 - MAX 48W

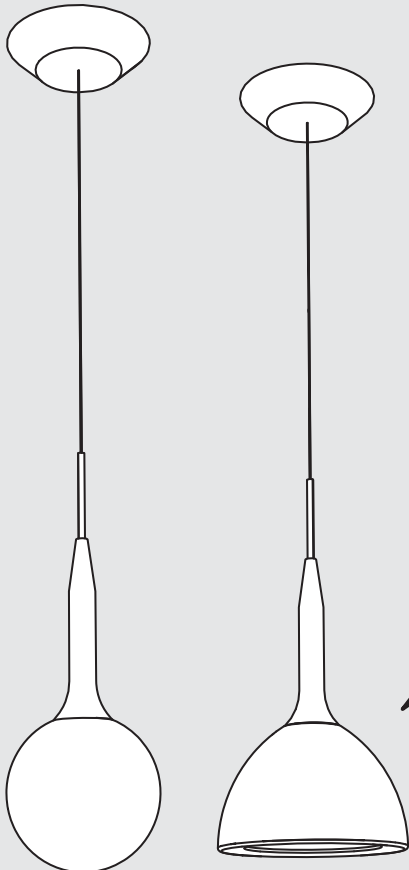
11



12

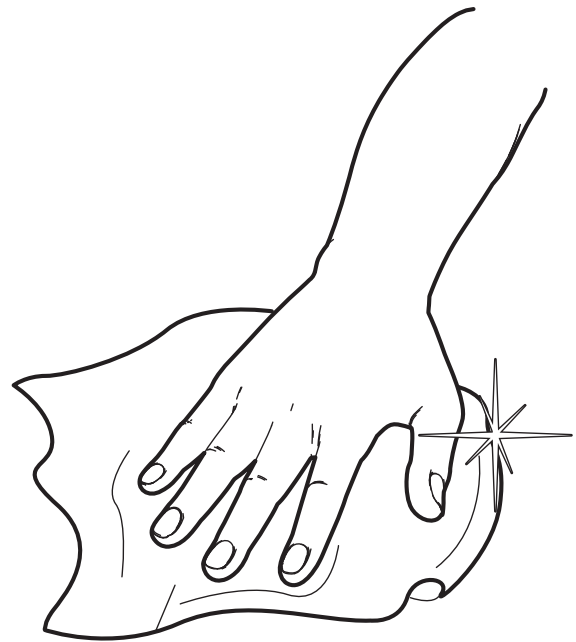
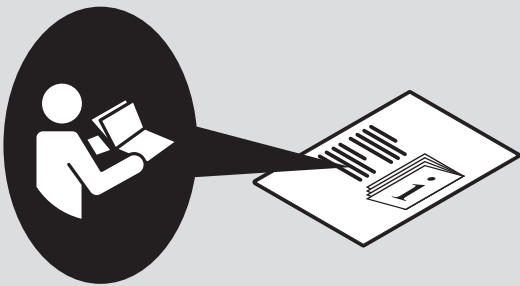
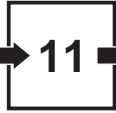
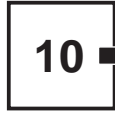
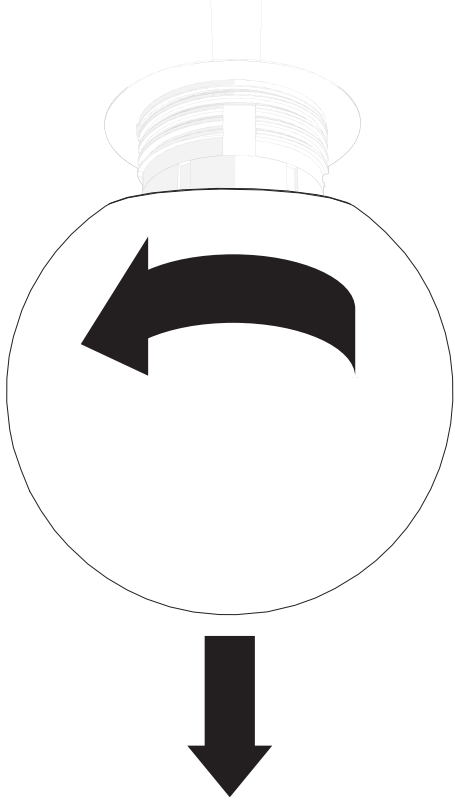


i

A line drawing of a G9 light bulb base, showing its cylindrical shape and two small pins at the bottom. A bracket on the right side of the drawing points to a text box.

MAX 48W - G9
Halo: HSGST - 750 lm
LED: DRT - 300 lm

1



Artemide®



Artemide

via Bergamo, 18
20010 Pregnana M.se (MI)
ITALIA

tel. +39 02 935 181
fax +39 02 935 90 254
fax +39 02 935 90 496

www.artemide.com

VAT IT00846890150

cod. Y513000631